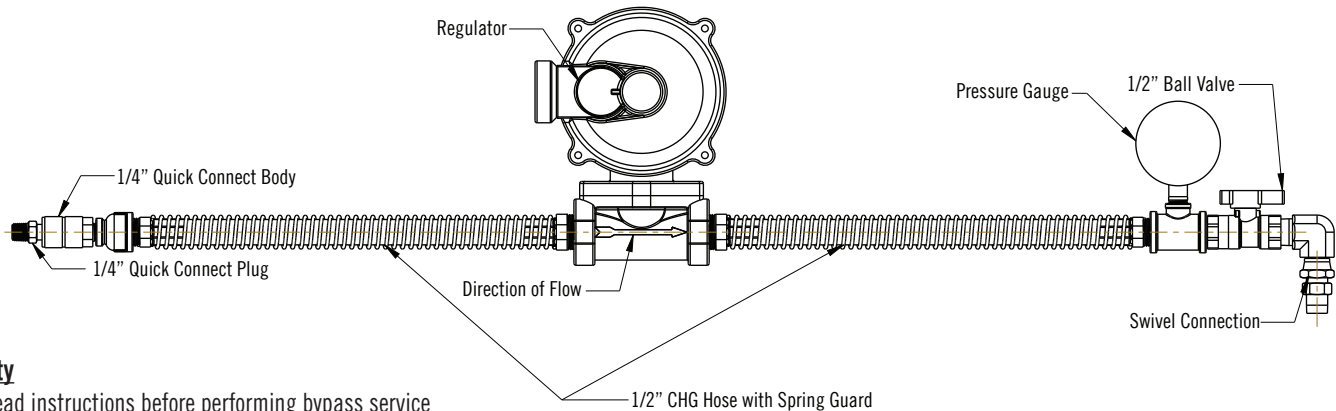




## IMPORTANT NOTICE - READ CAREFULLY

# Regulating Hose Kit (RHK) Instructions



## Safety

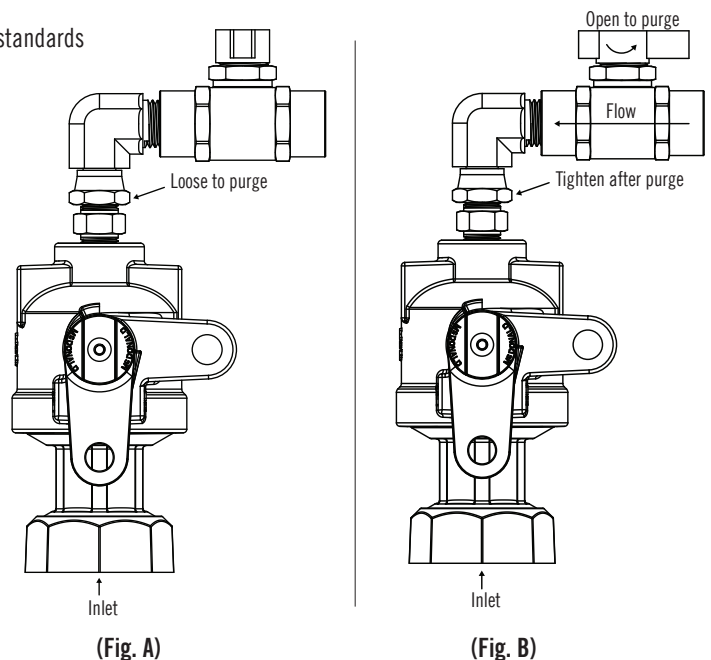
- Read instructions before performing bypass service
- Ensure all users have proper training with RHK
- DO NOT EXCEED PRESSURE LIMIT OF EQUIPMENT
- DO NOT leave RHK unattended while in use
- DO NOT perform operation in confined space
- Check for stray voltage at the meter set
- Beware of sources of ignition and safety hazards when purging gas or checking pressure
- Monitor gauges while in use to ensure pressure is maintained through bypass operation
- Under pressure inspect water column gauge for accuracy
- Inspect fittings, regulators, gauges and hose for any signs of damage - replace if identified
- Follow all utility procedures and safety protocols during operation
- Use smooth jaw wrenches only
- Follow all local codes for operating RHK
- Safe for use with Natural Gas

## Performing Bypass with RHK

- Ensure you have proper kit and fittings for performing the bypass operation
- Verify source gas pressure is adequate for performing the task at hand per utility standards
- Verify bypass operating features are in correct orientation for safe operation
- Thread 1/4" quick connect plug into riser bypass tap with proper sealant
- Thread NPT hex nipple into outlet bypass port (**Fig. A**)
- Attach quick connect and loosely thread on swivel elbow connection
- Activate riser bypass valve to allow gas into hose
- Open 1/2" valve on hose to purge through loose connection before tightening swivel hand-tight (**Fig. B**)
- Engage bypass on the outlet and turn off normal flow to meter set
- The meter set is now in bypass mode and service can be performed
- When service is complete and meter is purged, turn the meter set back to normal flow mode per utility standards
- With normal flow engaged, shut off source pressure to bypass hose kit
- Loosen swivel connection and release hose pressure through low pressure side
- Remove the NPT hex nipples and store hose kit safely

\*Follow the standard bypass procedure for A.Y. McDonald Inline Gas Bypass Ball Valves according to instruction sheet 3210-635.

\*Follow the standard bypass procedure for A.Y. McDonald Angle Gas Bypass Ball Valves according to instruction sheet 3210-389.



**WARNING:** This product can expose you to chemicals including lead, which is known to the State of CALIFORNIA to cause cancer and birth defects or other reproductive harm. For more information go to: [www.P65Warnings.ca.gov](http://www.P65Warnings.ca.gov).